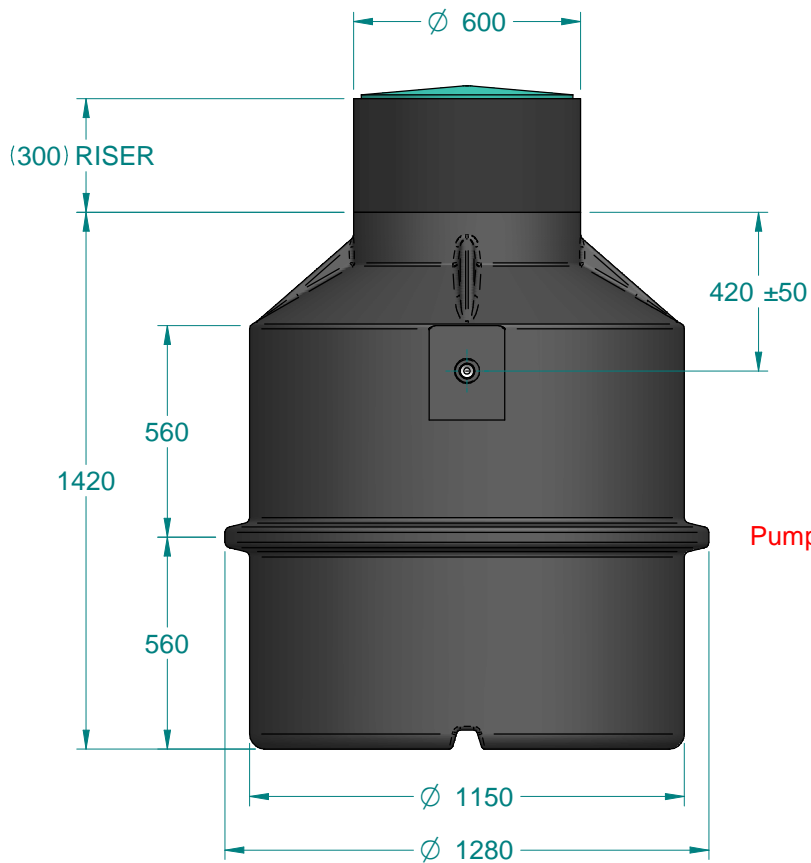
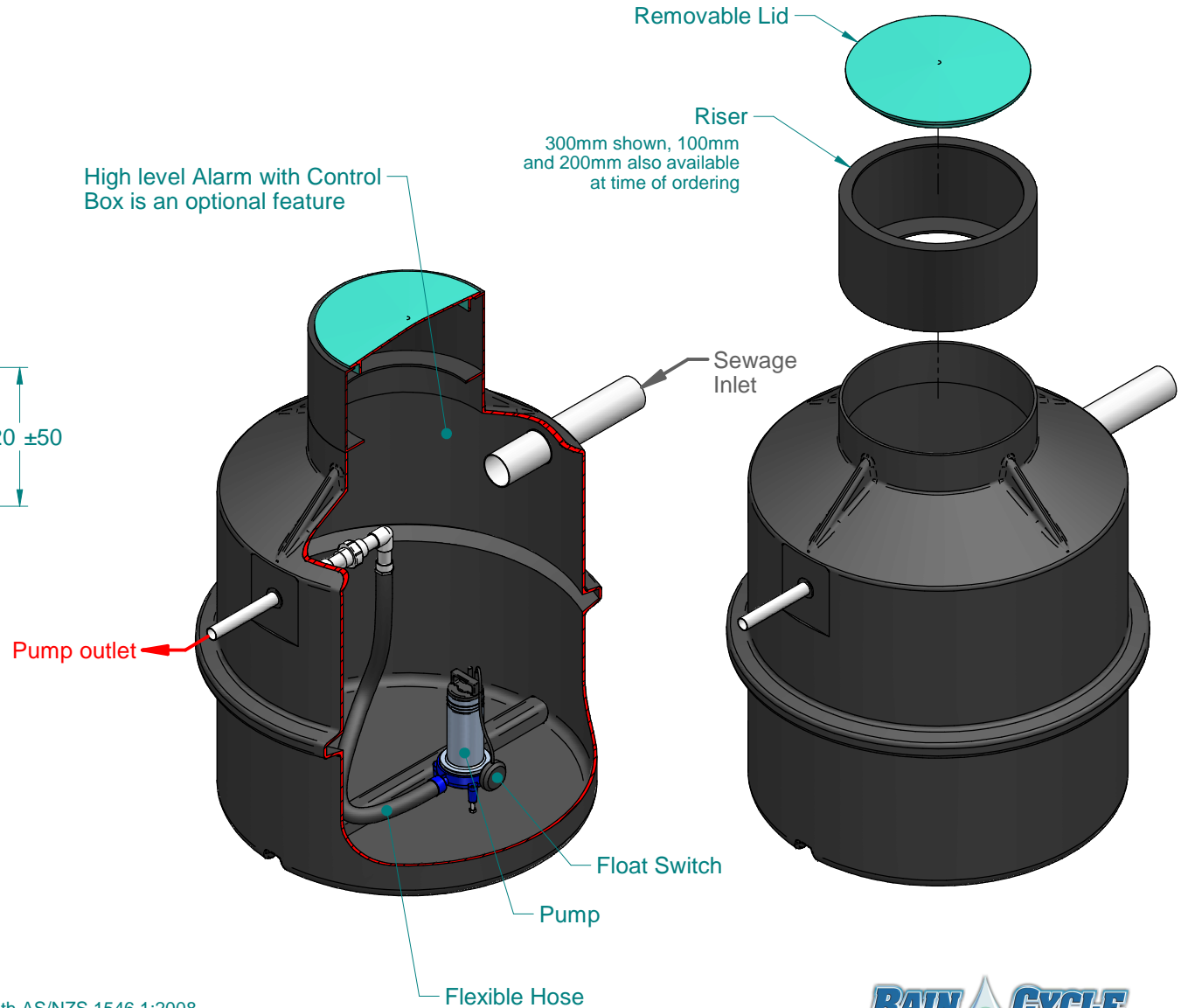


1000L Sewage Ejection Pump Station



High level Alarm with Control Box is an optional feature



Note: Septic Tanks to be manufactured and tested in accordance with AS/NZS 1546.1:2008