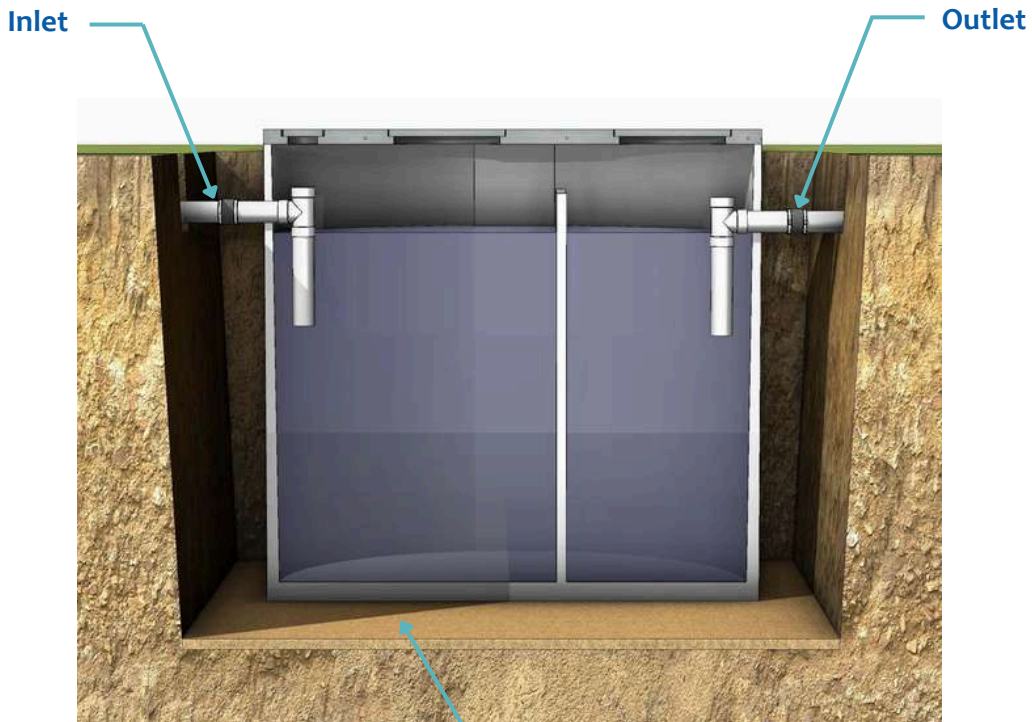
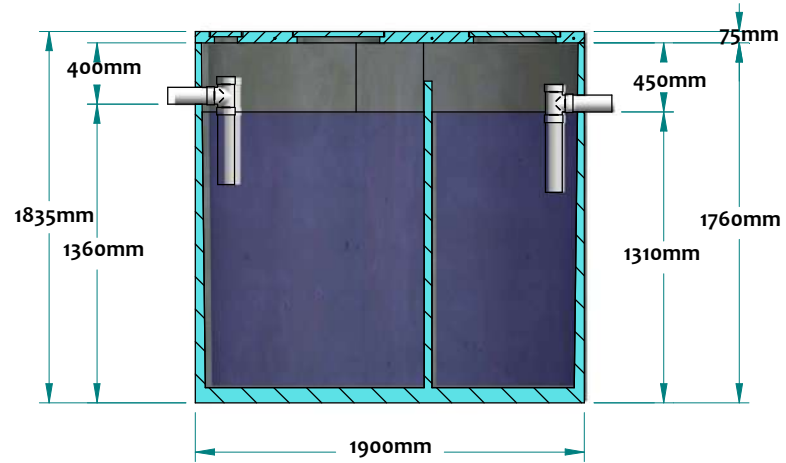
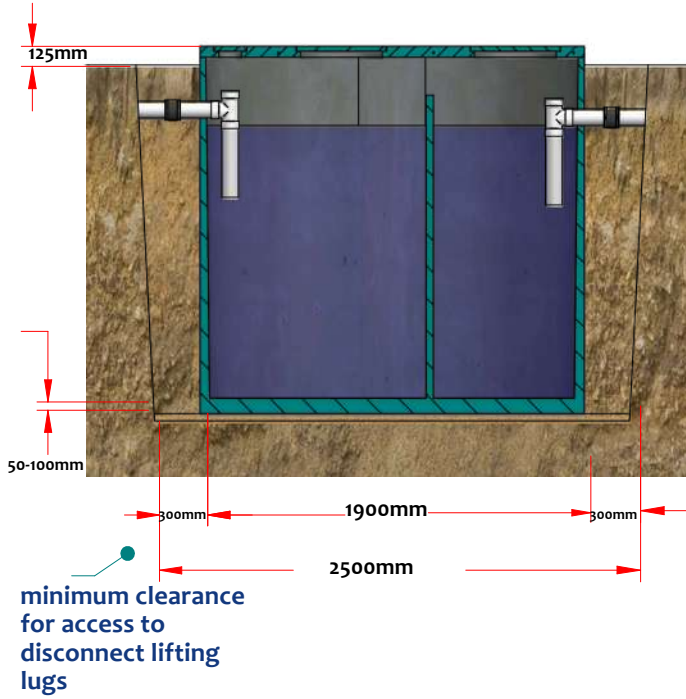


### Dimensions

Tank Diameter: 1900mm  
Tank Wall Height: 1760mm  
Tank Overall Height: 1835mm  
Tank Weight: 2.8 Tonne



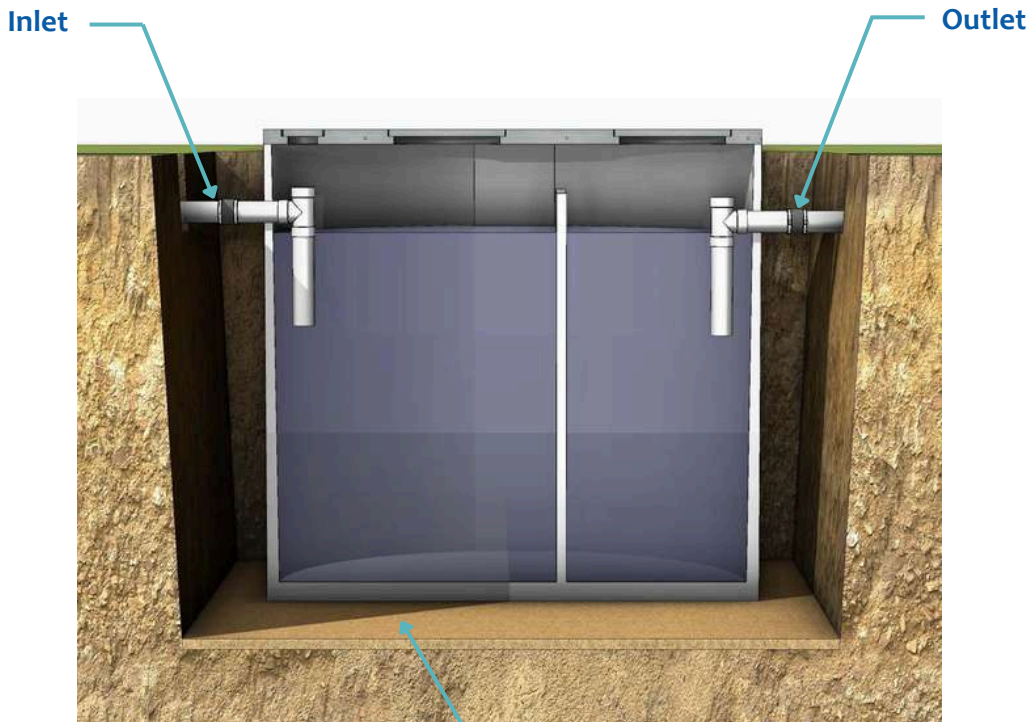
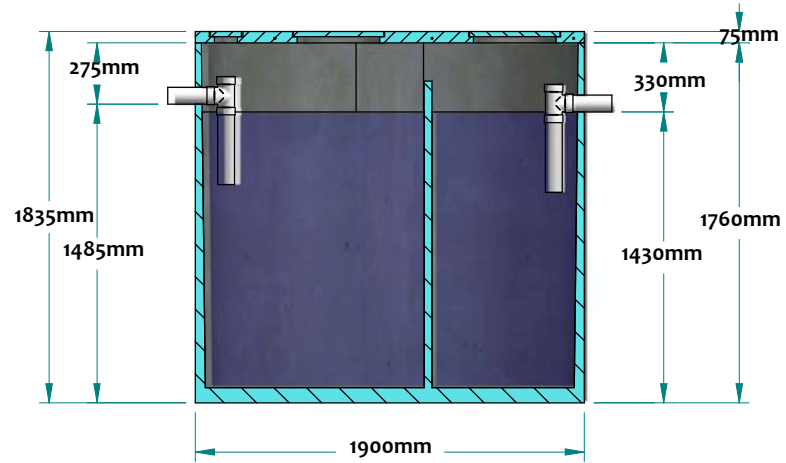
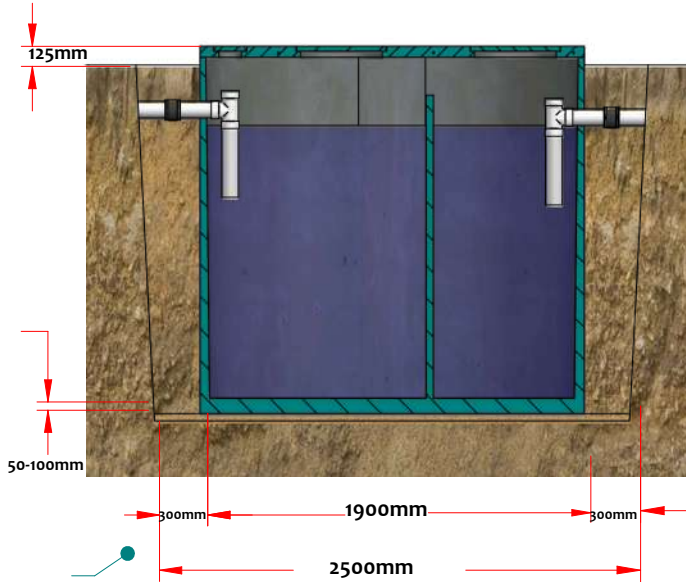
Tank manufactured in accordance with AS/NZS 1546.1:2008

Contact us on for further information  
1800 808 135 | sales@econocycle.com.au



### Dimensions

Tank Diameter:	1900mm
Tank Wall Height:	1760mm
Tank Overall Height:	1835mm
Tank Weight:	2.8 Tonne



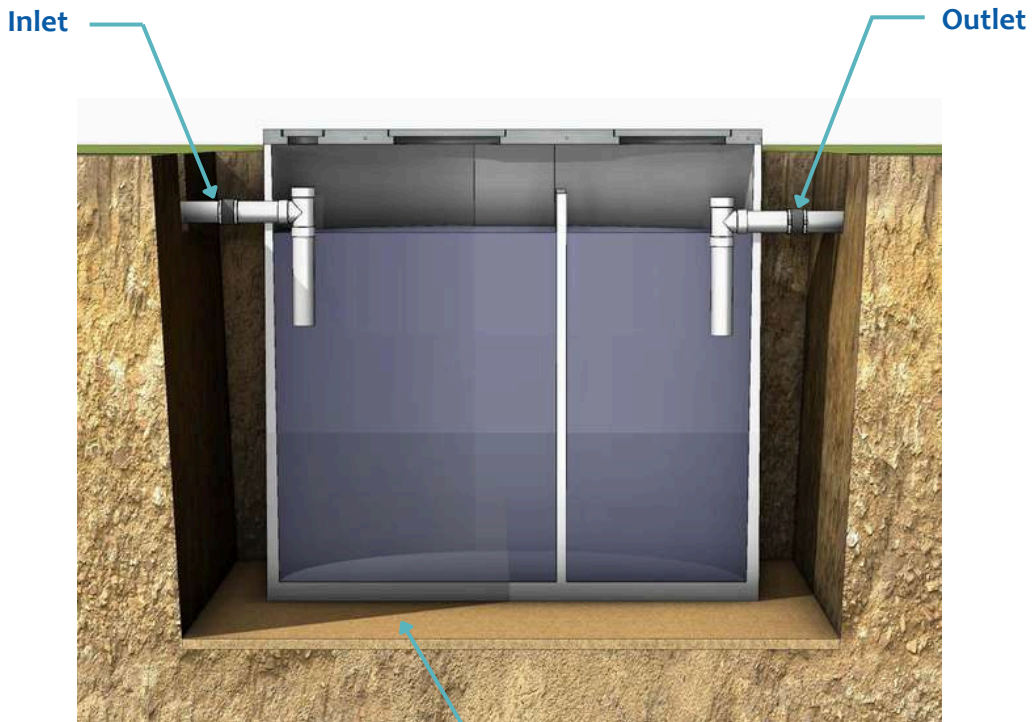
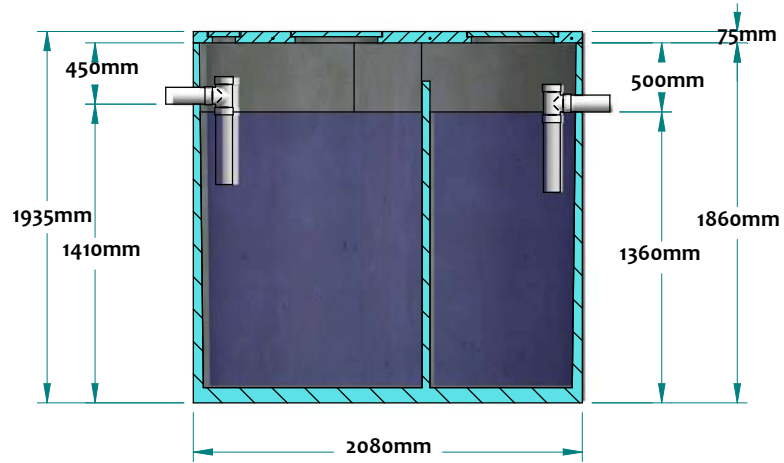
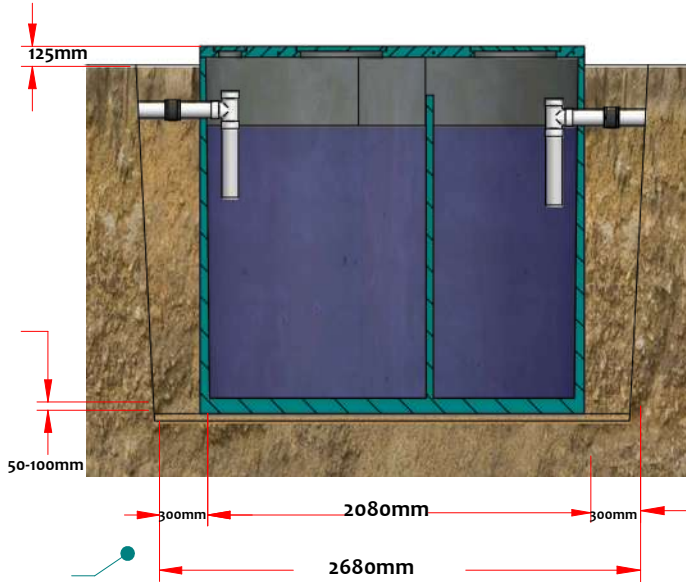
Tank manufactured in accordance with AS/NZS 1546.1:2008

Contact us on for further information  
1800 808 135 | sales@econocycle.com.au



### Dimensions

Tank Diameter:	2080mm
Tank Wall Height:	1860mm
Tank Overall Height:	1835mm
Tank Weight:	2.75 Tonne



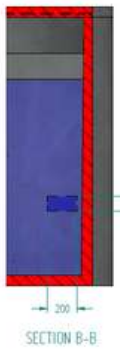
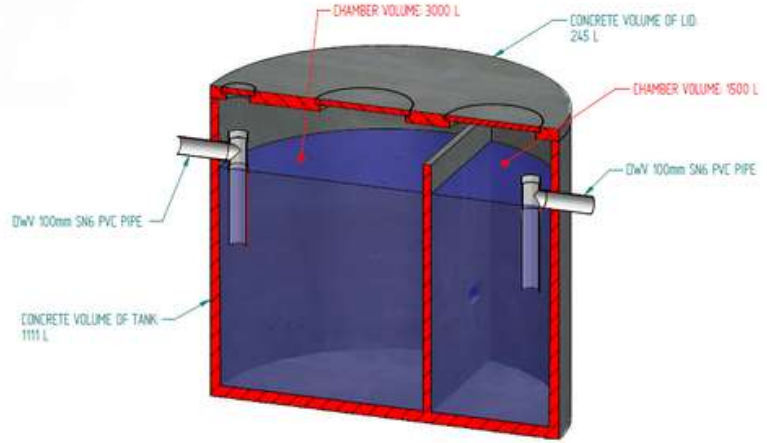
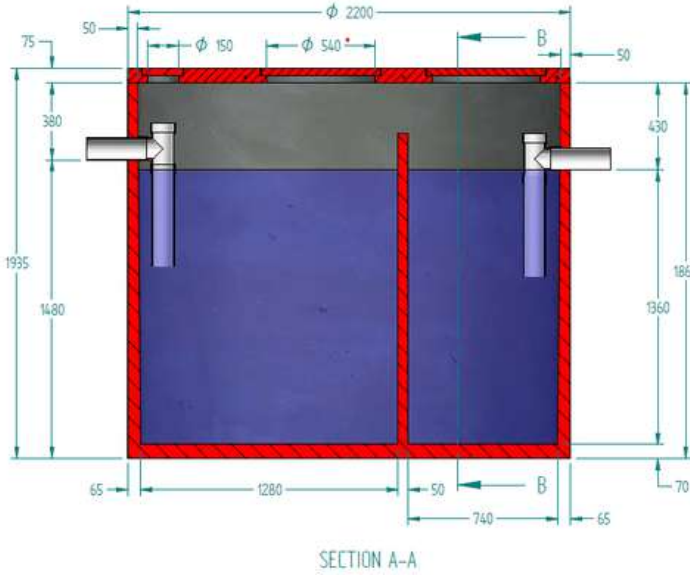
Tank manufactured in accordance with AS/NZS 1546.1:2008

Contact us on for further information  
 1800 808 135 | sales@econocycle.com.au



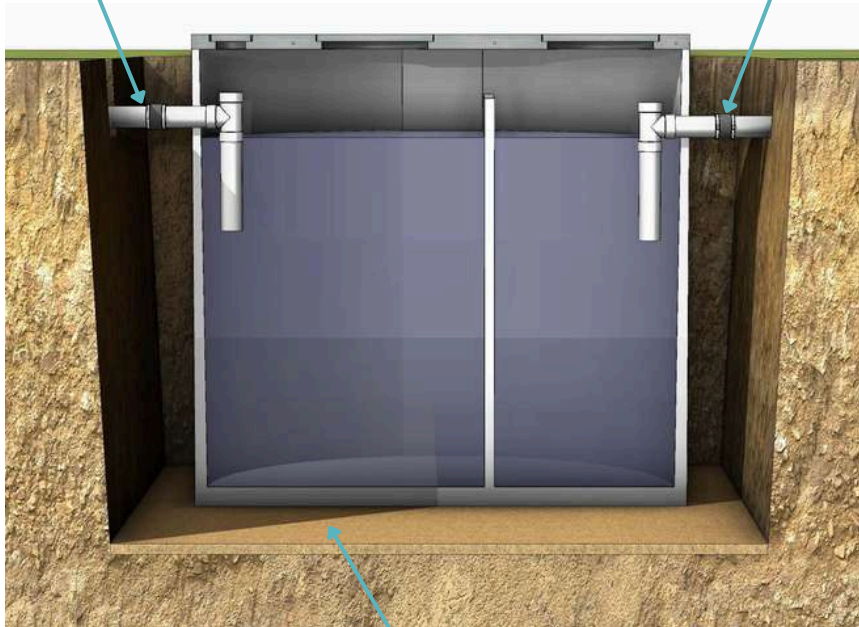
## Dimensions

**Tank Diameter:** 2200mm  
**Tank Wall Height:** 1860mm  
**Tank Overall Height:** 1935mm  
**Tank Weight:** 3.2 Tonne



Inlet

Outlet



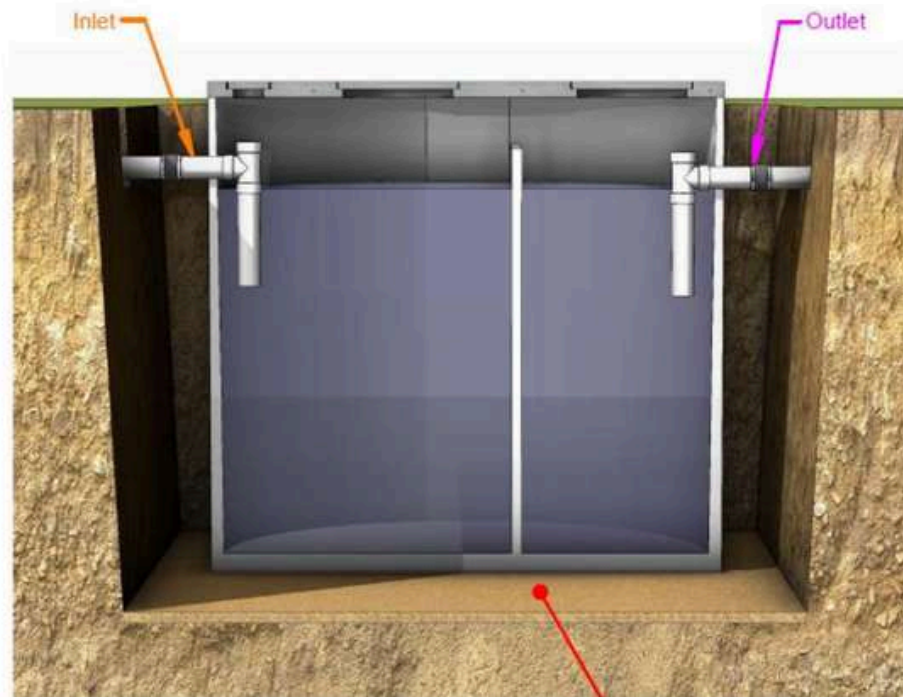
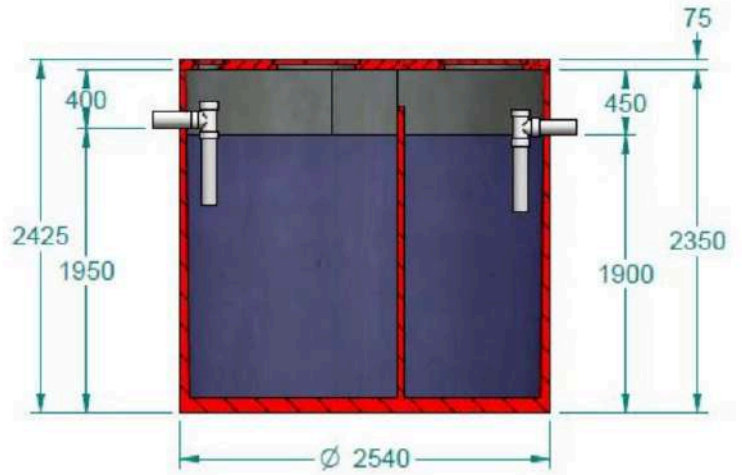
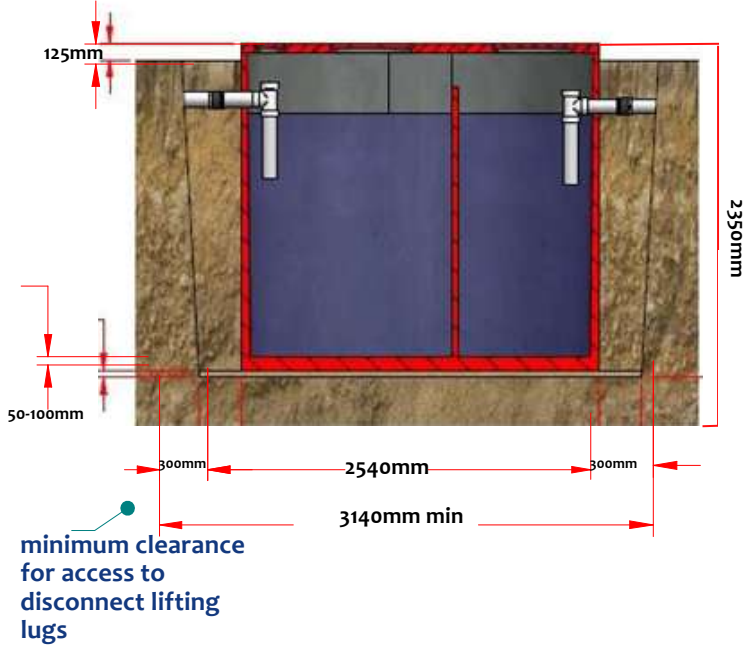
Minimum 50mm - 100mm sand or gravel

Contact us on for further information  
 1800 808 135 | sales@econocycle.com.au



## Dimensions

Tank Diameter:	2370mm
Tank Wall Height:	2050mm
Tank Overall Height:	2125mm
Tank Weight:	3.6 Tonne
Man Holes:	2 x 540mm
Inspection Holes:	1 x 150mm



Minimum 50mm - 100mm sand or gravel

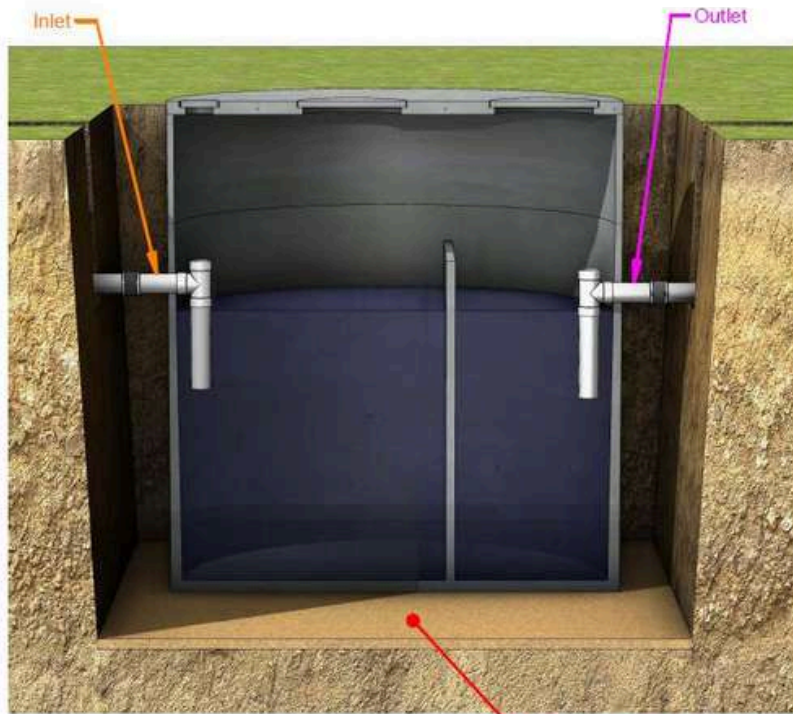
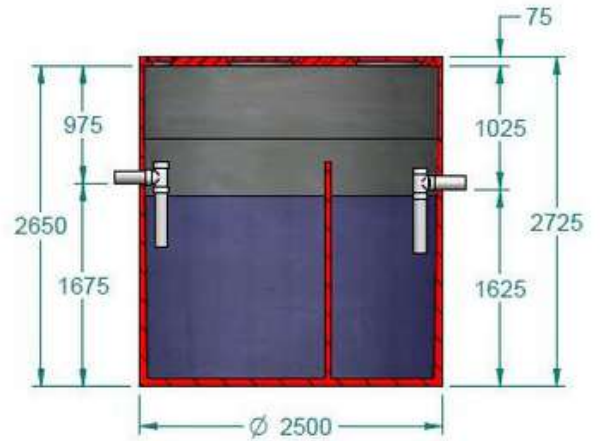
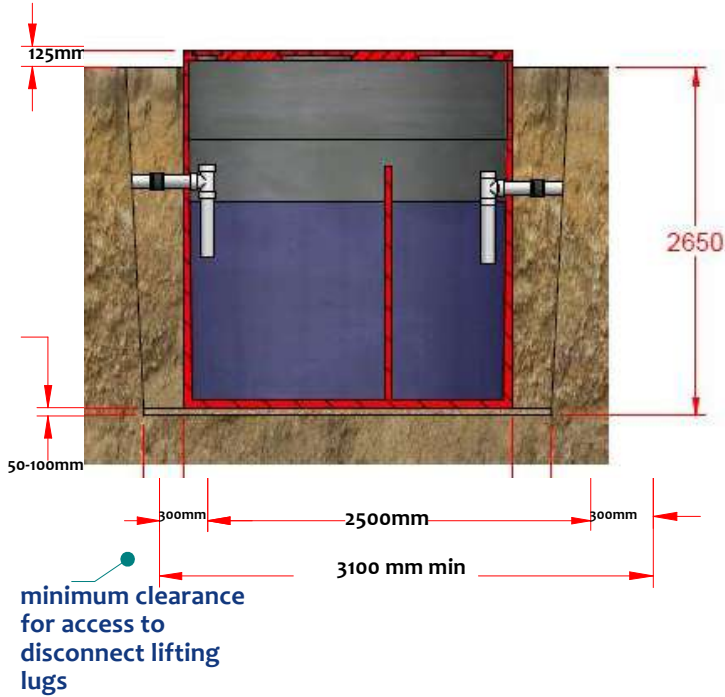
Contact us on for further information  
1800 808 135 | sales@econocycle.com.au



## Septic Tank 7000 Litres with 600 Riser

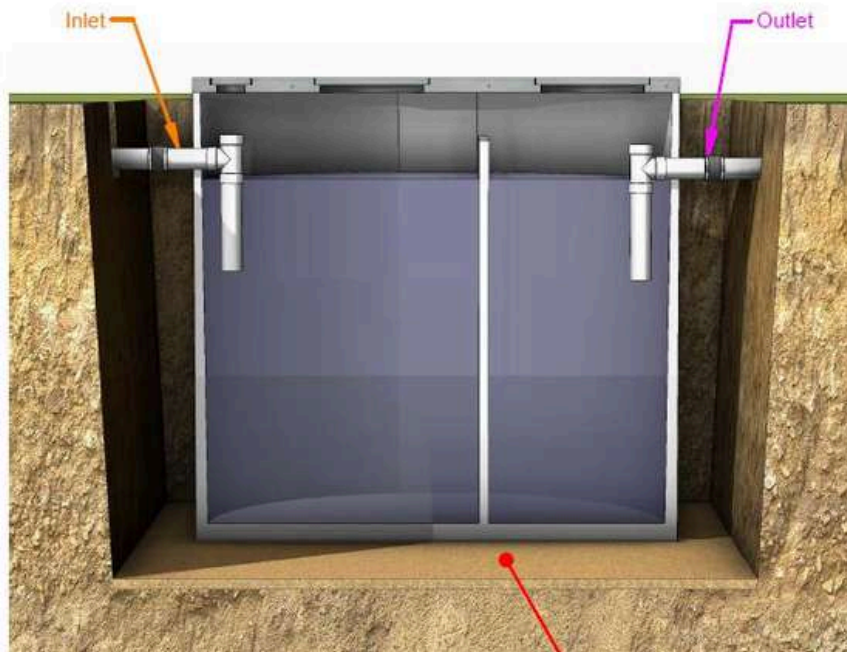
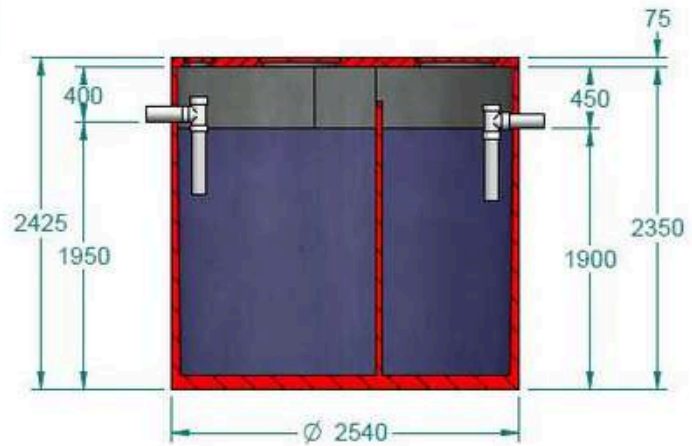
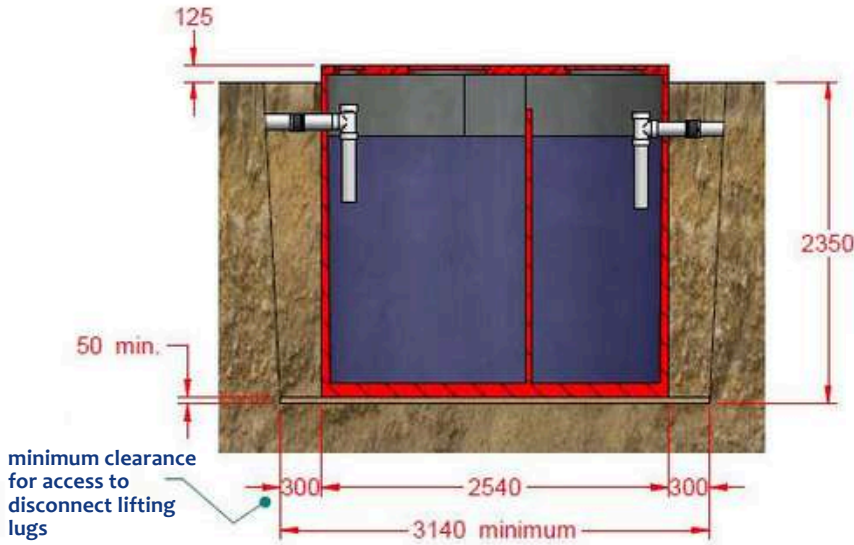
### Dimensions

Tank Diameter:	2500mm
Tank Wall Height:	2650mm
Tank Overall Height:	2725mm
Tank Weight:	3.6 Tonne
Man Holes:	2 x 540mm
Inspection Holes:	1 x 150mm



## Dimensions

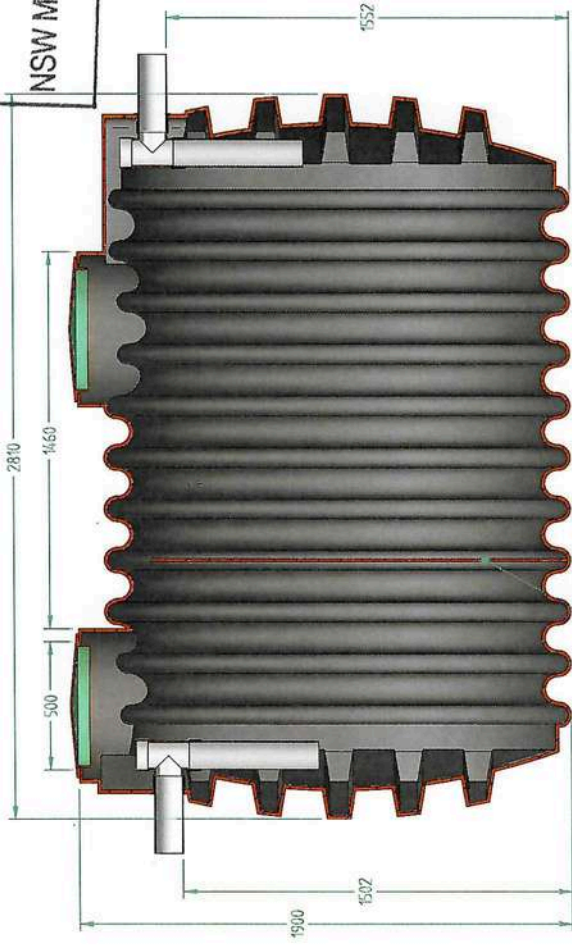
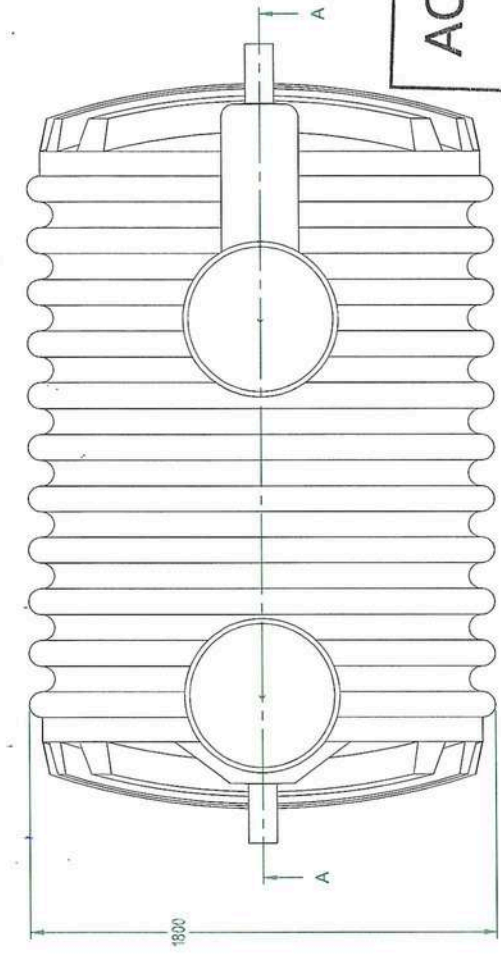
Tank Diameter:	2540mm
Tank Wall Height:	2350mm
Tank Overall Height:	2425mm
Tank Weight:	3.6 Tonne



Minimum 50mm - 100mm sand or gravel

Contact us on for further information  
1800 808 135 | [sales@econocycle.com.au](mailto:sales@econocycle.com.au)





**ACCREDITED**  
11 AUG 2022  
NSW MINISTRY OF HEALTH



NOTES  
1. SEPTIC TANKS TO BE MANUFACTURED AND TESTED IN ACCORDANCE WITH AS/NZS 1546:12008

<p><b>Econocycle</b> AERATED WASTEWATER TREATMENT SYSTEMS</p>		PROJECT <b>ECONO 5000</b>	SHEET SIZE <b>A3</b>
	UNLESS OTHERWISE SPECIFIED ALL DIMENSIONS ARE IN MM	DATE PLOTTED <b>14/12/2010</b>	TITLE <b>SEPTIC TANK ASSY NSW HEALTH CERTIFICATION DRAWING</b>
SCALE <b>DO NOT SCALE</b>	DRAWN/LAST PLOTTED BY <b>P. MCKAY</b>	CONTRACTOR <b>124_2010S</b>	REVISION <b>1.E</b>
CHECKED BY <b>P. MCKAY</b>	PREPARED BY <b>P. MCKAY</b>	PART #	
COPYRIGHT All rights reserved. No part of this publication may be reproduced, stored in a retrieval system, or transmitted, in any form or by any means, without the prior written permission of Econocycle.			

SCALE: 1:1