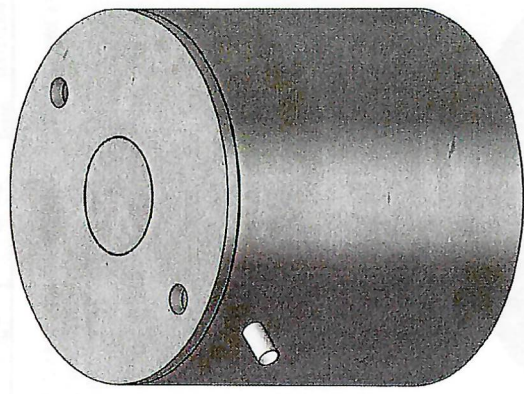
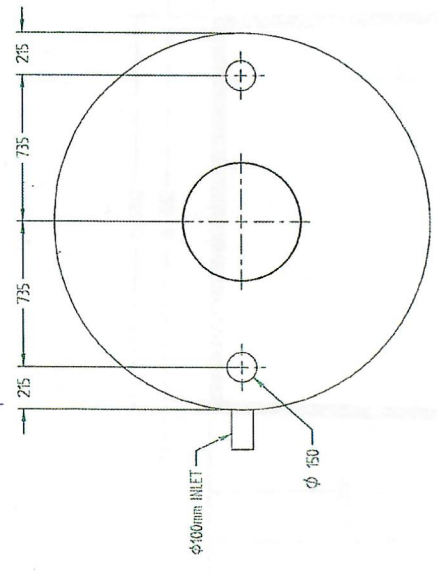
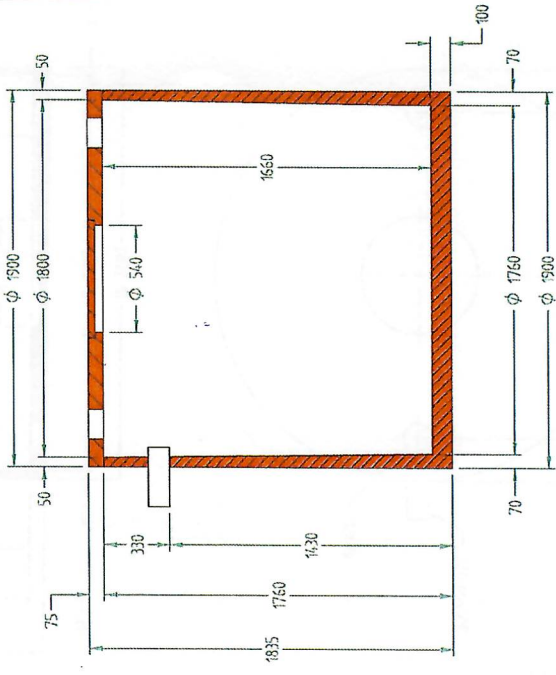


1 2 3 4 5 6

A B C D



ACCREDITED
11 AUG 2022
NSW MINISTRY OF HEALTH



- NOTES:
1. SEPTIC TANKS TO BE MANUFACTURED AND TESTED IN ACCORDANCE WITH ASINZS 4546:2008
 2. CONCRETE STRENGTH = 40MPa.
 3. CONCRETE TO BE VIBRATED TO ENSURE WELL COMPACTED CONCRETE
 4. TANKS TO BE REINFORCED WITH FIBRE STEEL
 5. LIFTING TO BE "RED SWIFT LIFTS" 4 x 2.5 TONNE FOOT ANCHORS CAST INTO BASE OF THE TANK, 3 x 13 TONNE ANCHORS CAST INTO TANK LIDS

 Econocycle SEWAGED WASTEWATER TREATMENT SYSTEMS	PROJECT TITLE COLLECTION WELL 3250L CONCRETE TANK ASSY NSW HEALTH CERTIFICATION DRAWING	SHEET SIZE A3
	DATE PLOTTED 27/07/2010	CON./FRONT. --
SCALE 1:1 (DO NOT SCALE)	DRAWING LAST MODIFIED BY P. PEARY	SHEET NO. 1 OF 1
CHECKED BY P. PEARY	PROJECT NO. 124_1410	REVISION 1.B
DESIGNED BY P. PEARY	DRAWING NO. 124_1410	SHEET NO. 1 OF 1
PROJECT NO. 124_1410	DRAWING NO. 124_1410	SHEET NO. 1 OF 1

1 2 3 4 5 6