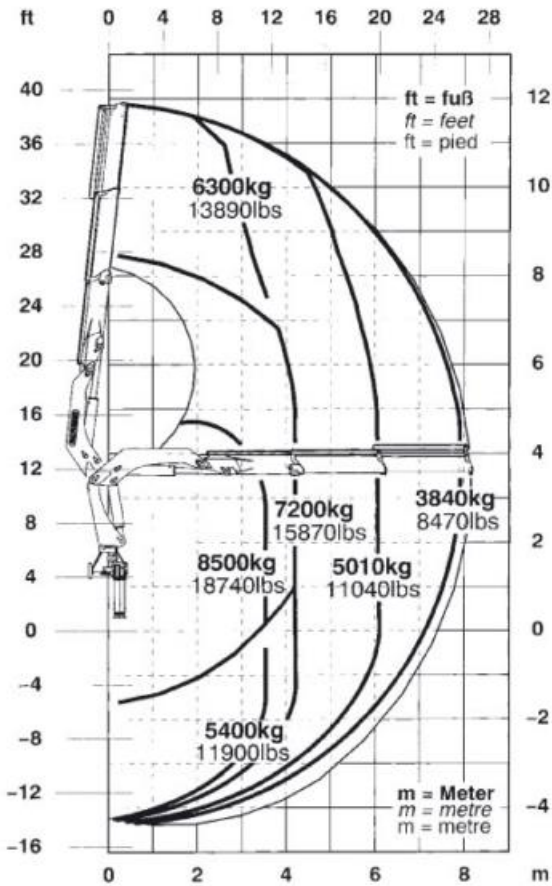




PK 32080 A

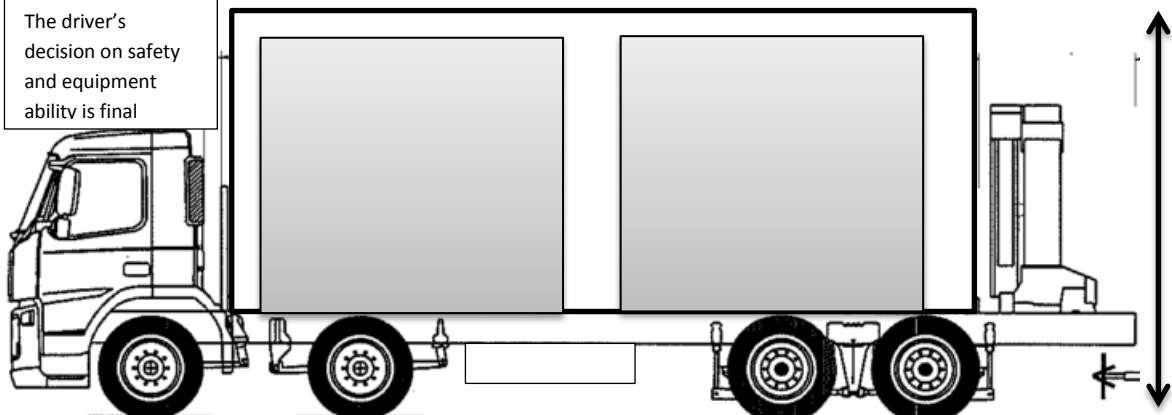


This is a guide supplied by information relating to truck and crane specifications. Please ensure there is ample room to place outriggers (6500mm) and ground is level and stable. For additional information please refer to installation guide.

Max. lifting capacities:

Outreach	Capacity
PK 32080 A	
<i>hydraulic</i>	
3.5 m	8500 kg 11' 6" 18740 lbs
4.2 m	7200 kg 13'9 1/2" 15875 lbs
6.0 m	5010 kg 19' 8" 11045 lbs
7.9 m	3840 kg 25' 11" 8465 lbs

The driver's decision on safety and equipment ability is final



4300 High

11,000 mm Long